

# Royal Hawk Consoles series

## Overview



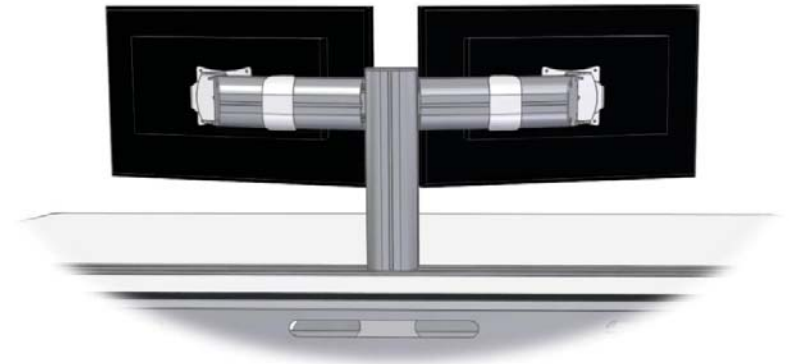
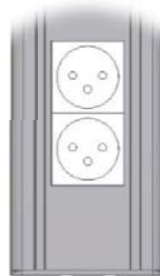




# External & Internal Overview

## Royal Hawk Command & Control Consoles

- **Aluminum monitor arm:** (19-24" monitor sizes) with 1-6 monitors capability.
- **Cabling Management:** cables movement throw monitor arm.
- **Mosaic function:** Milrack's monitor arm can reach "Legrand" outlets with various options: 220V / communication – RJ45 / Multimedia – HDMI / VGA.

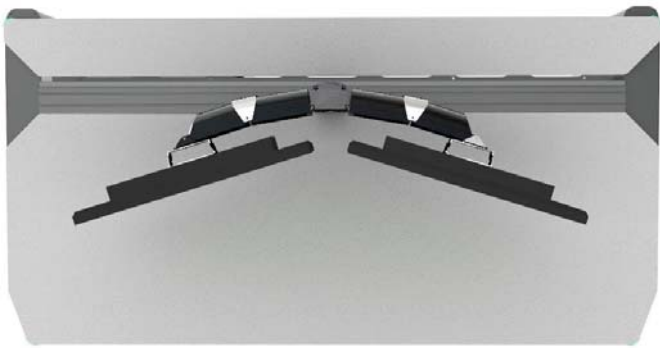




# External & Internal Overview

## Royal Hawk Command & Control Consoles

- **Work top surface:** H.P.L 19MM thickness.
- **All around profile:** Aluminum profile for monitors arm full movement on work top.
- **Cabling access:** HPL dedicated work top cabling management door.
- **Security lights:** 4 corners security lights inside the work top + on leg profile.





# External & Internal Overview

## Royal Hawk Command & Control Consoles

- **Multi-functional Cable Duct:** Dual channeled (Electricity & communication & multi-media) cable duct.
- **Accessories Panel:** Full 220V / communication / multimedia accessories representing in front of duct channel.
- **“drawIT”:** front access for KVM extenders & splitters







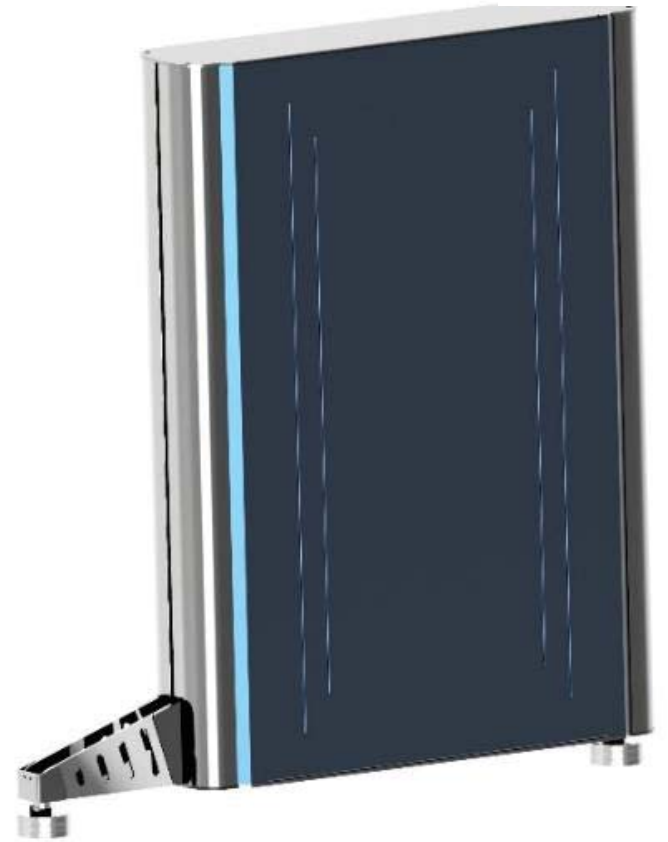
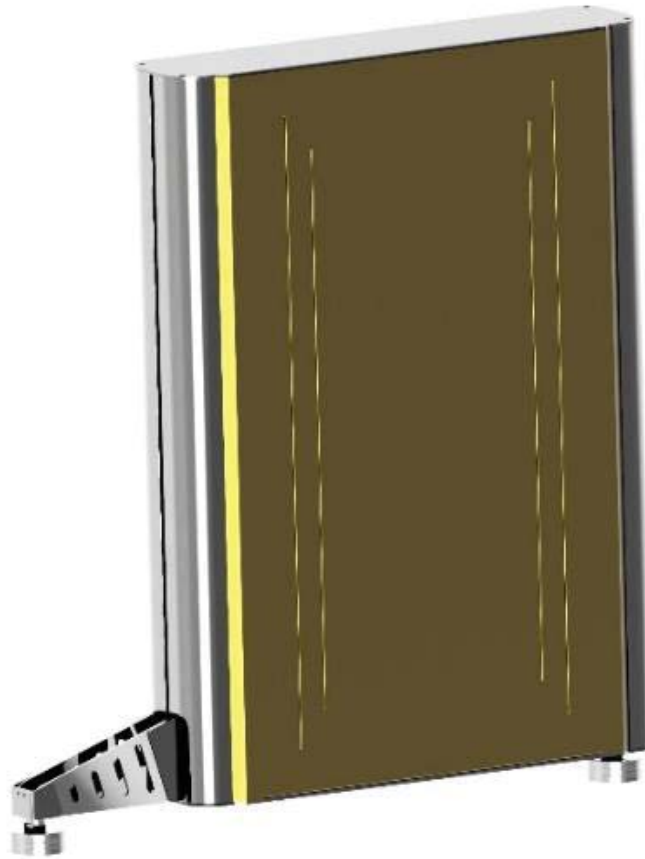
# External & Internal Overview

## Royal Hawk Command & Control Consoles

- **Aluminum Console Leg:** Dual Aluminum-profile decorated leg with the followed abilities:
  - ✓ Dedicated modular leg side panel with 220V / Data communication lay-out (RJ-45 Cat6A Female / Male connectors are optional).
  - ✓ Modular foot: Modular Changeable leg foot & design
  - ✓ Smart Cable movement from floor.
  - ✓ Changeable colors (RAL).











# External & Internal Overview

## Royal Hawk Command & Control Consoles

- **Modular Divider:** Modular changeable divider with various option (Decorated metal alloy as standard)





# Optional Accessories

## Royal Hawk Command & Control Consoles

- **9u 19" Cabinet:** Decorated curved designed 9U 19" cabinet for computing and communication hardware.
- **Documents Drawer:** Decorated curved designed documents & self belonging drawer.
- **Shelves Drawer:** Decorated curved designed three shelves drawer with optional electricity inside.

